

TEMPERATURE/HUMIDITY DETECTOR - DUCT MOUNT

PRODUCT BROCHURE

HDM-KZWS/FZA2

PRODUCT DETAIL

- Real time measurement of temperature and humidity inside the air duct
- High accuracy temperature and relative humidity sensors
- Smart design for easy installation into any air duct
- Water-proof and porous film around the sensor probe
- Independent analog linear outputs for temperature and humidity
- CE-approval

APPLICATION

- Building ventilation control systems
- Industrial ventilation control systems
- Airport, train station, shopping mall, office, classroom and other public places for air quality measurement and Indication

FEATURES

- Designed for real time detection of temperature and relative humidity inside air ducts
- Digitally compensated temperature and humidity sensor provides a high accuracy measurement in full range
- Provide up to 2 analog outputs (4~20mA) for temperature and relative humidity
- With LCD or without LCD options available
- Simple and smart probe design incorporates a water-proof but porous membrane for reliable functioning
- Probe suitable to various air duct systems
- 24VDC power supply
- CE-approval



SPECIFICATIONS

Parameters	Temperature	Relative Humidity
Sensing element	Independent chip sensors for temperature and humidity measurement	
Measuring range	-20~80°C	0~100%RH
Long term stability	<0.1°C/year	<0.1%RH/year
Accuracy@25°C	±0.5°C	±3%RH
Ingress protection	IP65	
Signal output	4-20mA	4-20mA
Response Time	<10 seconds to reach 63%	

Additional Data, dimensions and approvals

Operation conditions	-20~80°C; 0~95%RH, non-condensing
Storage conditions	0~50°C / 20~60%RH
Weight	300g
Dimensions	252mm(L)×85mm(W)×85mm(H); Probe length = 197mm
Installation	Duct mount
Housing IP class	PC/ABS, Ingress protection class: IP65
Standard	CE-Approval

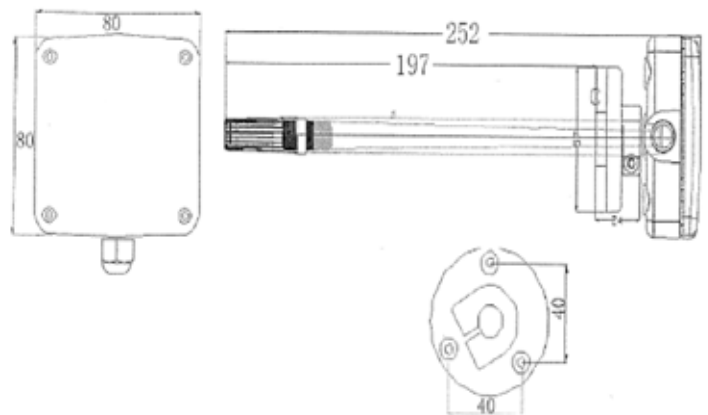
DIMENSIONS AND MOUNTING

Duct mountable

Probe Length: 197.00mm

Probe Diameter: Ø14.00mm

Installation Holes: 40mm



WIRING DIAGRAM

