



Oxygen – O₂ Gas Detector / Transmitter Series 65-6550

Features

- Economical Fixed Gas Detector / Transmitter
- Temperature Compensation
- Rugged Construction
- Reliable
- Certified Intrinsically Safe – Exia
- LCD Display
- Non-Intrusive Closed Case Calibration

Description

Ampcontrol's Gasguard Oxygen Detector / Transmitter is supplied complete with an amplifier and a Liquid Crystal Display.

The Gas sensor is housed in a cast stainless steel enclosure, has been approved to be intrinsically safe and is suitable for use in Zone 0 hazardous areas.

The Gasguard Oxygen Detector / Transmitter, operates on the electro-chemical principal. The sensor is temperature compensated and provides a linear current output.

Sensor Specifications

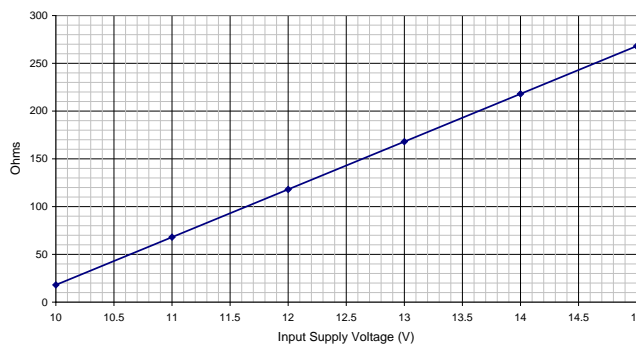
| | |
|----------------------|----------------------------|
| Ingress Protection | : Housing : IP66 |
| | : Gas Inlet Port : IP66 |
| Housing Material | : Cast Stainless Steel |
| Calibrated Range | : 0 to 25 % |
| Linearity | : <± 1% FSD |
| Drift | : <± 2% FSD per month |
| Repeatability | : <± 1% |
| Sensing Element Life | : >2 Years In Clean Air |
| Temperature Range | : -10°C to + 50°C |
| Humidity Range | : 0-95% RH, non-condensing |
| Resolution | : 0.1 % Oxygen |

Electrical Specifications

| | |
|-----------------|-------------------------------------|
| Supply Voltage | : 10-16.5 VDC |
| Analogue Output | : 4-20mA DC – Two Wire Loop Powered |
| Maximum Current | : 25mA |



Maximum Loop Resistance at 20mA



Approval & Certification

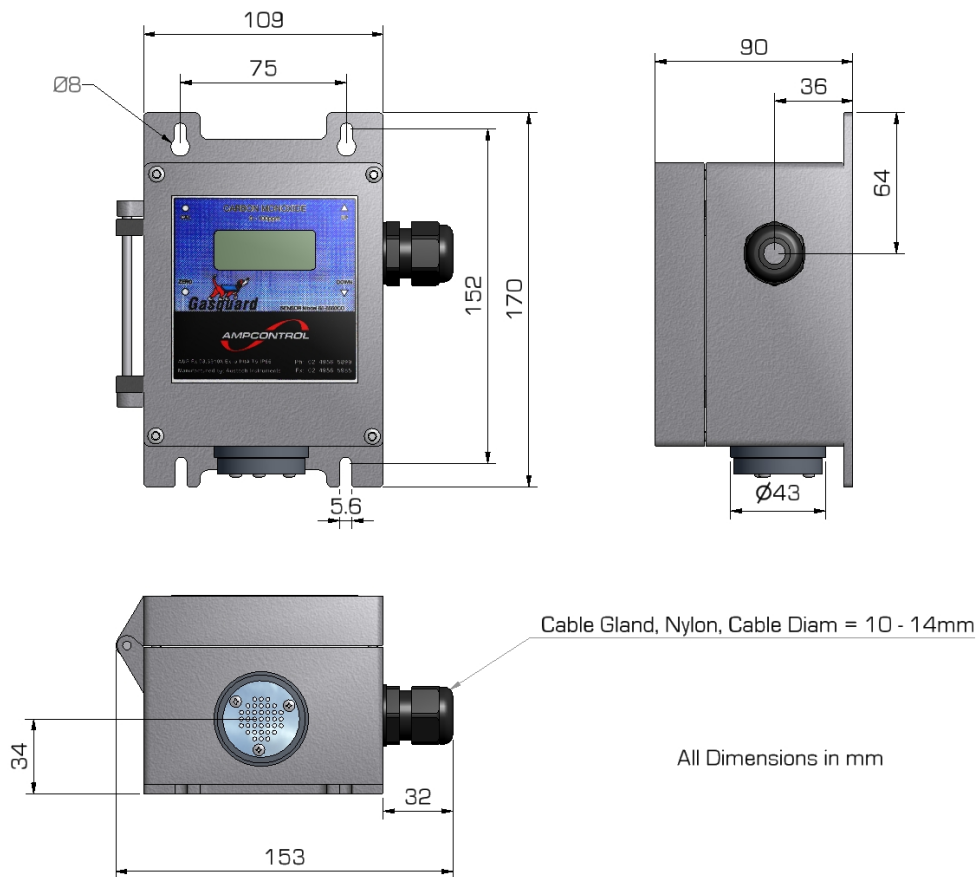
| | |
|-------|---|
| IECEX | : IECEX ITA 07.0002X – Ex ia I IP66 |
| MDA | : MDA GD 5056 |
| DPI | : MDR 086760 GD (Design Registration) |

Ordering Information

| Part Number | Description |
|-------------|------------------------------------|
| 101772 | Detector / Transmitter – 0 to 25 % |
| 115209 | Electro-Chemical Sensor Assembly |
| 115187 | Barrier Insert Assembly |
| 101613 | Calibration Magnetic Screwdriver |
| 102284 | Calibration Magnetic Pen |
| 101702 | Calibration Cup |
| 121016 | Allen Key |



Dimensions



Electrical Connection

