

## NO GAS SENSOR / TRANSMITTER

Series 65-6550

Gasguard Nitric Oxide Monitoring

### Description

Ampcontrol's Gasguard Nitric Oxide Detector / Transmitter is supplied complete with an amplifier and a Liquid Crystal Display.

The Gas sensor is housed in a cast stainless steel enclosure, has been approved to be intrinsically safe and is suitable for use in Zone 0 hazardous areas.

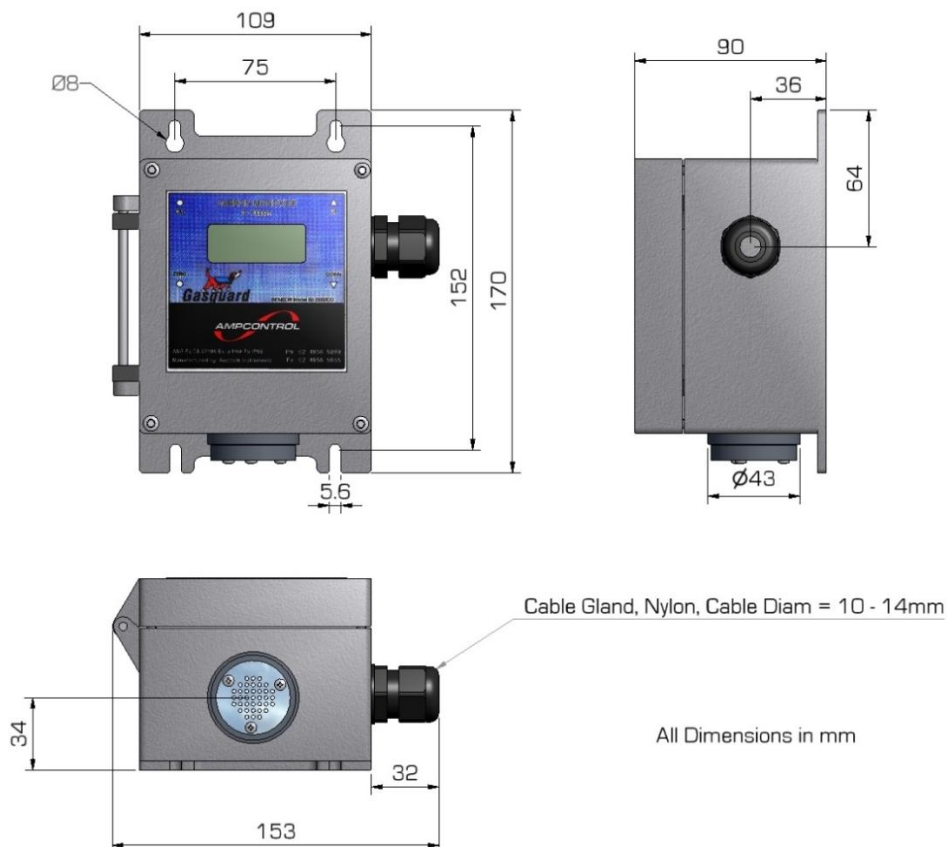
The Gasguard Nitric Oxide Detector / Transmitter, operates on the electro-chemical principal. The sensor is temperature compensated and provides a linear current output.

### Features

- Economical Fixed Gas Detector / Transmitter
- Temperature Compensation
- Rugged Construction
- Reliable
- Certified Intrinsically Safe – Ex ia
- LCD Display
- Non-Intrusive Closed Case Calibration

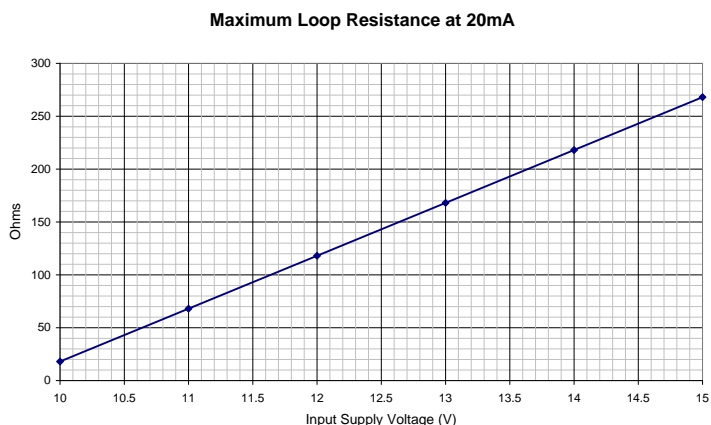
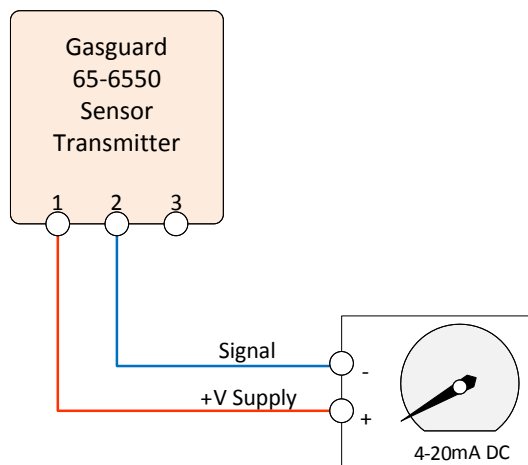


### Dimensions



APPROVED FOR EXTERNAL DISTRIBUTION - PROPERTY OF AMPCONTROL PTY LTD - NOT TO BE REPRODUCED IN PART

## Connection Diagram



## Specifications

Electrical	
Supply Voltage	10 – 16.5 VDC
Analogue Output	4-20mA DC
Maximum Current	100mA
Mechanical and Environment	
Humidity Range	15-90% RH, non-condensing
Temperature Range	-10°C to + 40°C
Housing Material	Cast Stainless Steel
Ingress Protection	Housing: IP66 Gas Inlet Port: IP66
Weight	3.8kg (approximately)
Cable Gland Entry Size	8 to 13mm O.D.
Sensor	
Detection Method	Electrochemical principle
Calibrated Range	0 – 50ppm Nitric Oxide
Accuracy	< 5% FS
Zero Drift	<0.3ppm per year
Sensitivity Drift	< 5% per year
Repeatability	± 1% of Reading
Sensing Element Life	>2 Years In Clean Air
Resolution	0.1ppm
Certification	
IECEX	IECEX ITA 07.0002X – Ex ia I IP66
Ordering Information	
Part Number	Description
173670	NO Detector 0-50ppm 4-20mA
101702	Calibration cup for electrochemical sensors
140225	Calibration magnetic tool
105703	Allen key
Find Out More	
For more information on this product, contact Ampcontrol Customer Service on +61 1300 267 373 or <a href="mailto:customerservice@ampcontrolgroup.com">customerservice@ampcontrolgroup.com</a> or visit the Ampcontrol website: <a href="http://www.ampcontrolgroup.com">www.ampcontrolgroup.com</a>	

### DISCLAIMER

While every effort has been made to ensure the accuracy of this document at the date of issue, Ampcontrol assumes no liability resulting from any omissions or errors in this document, and reserves the right to revise content at any time.