

IDA

INTRINSICALLY SAFE TRI-COLOR DISPLAY

IECEX TSA 07.0026X

Description

The Ampcontrol IDA intrinsically safe tri-colour display allows remote indication of Methane, Carbon Dioxide or Carbon Monoxide levels (other gases and scaling can be made custom on request)

The display is housed in a cast stainless steel enclosure that has a rating of IP66 and has been certified Intrinsically Safe for Zone 0, Group I applications.

A large 38mm high three digit, seven segment display indicates the scaled gas level from a 4 - 20mA or 0.4 - 2V analogue input.

The display illuminates green, amber or red by changing the state of 2 digital inputs or automatically by programmable set-points.

Operation

Calibration: The IDA is factory calibrated and does not require any further calibration

Analogue Input: Both 4-20mA or 0.4-2V inputs are available. The IDA will sense which input is being used; no setting is required.

Colour changing mode: The mode which the display changes colour can be either set to *Auto* or *Manual* by changing a jumper on the PCB on the inside of the lid (shown on right)

When in **manual mode**, the colour depends on the state of two digital inputs *RED* and *GREEN* (See wiring diagram over page)

The **automatic mode** changes colour based on the analogue input and programmed set-points. To program the set-points:

1. Hold down the *SET* button for over 3 seconds until the display turns amber
2. Use a small screwdriver to turn the *COARSE* potentiometer to adjust the first two digits of the required amber set-point
3. Use a small screwdriver to turn the *FINE* potentiometer to adjust the last digit of the required amber set-point
4. Press the *SET* button, the display will turn red
5. Repeat steps 2 and 3 to configure the required red set-point
6. Press the *SET* button. The display will read "SEt" on successful save

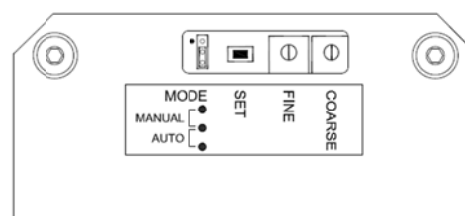
If the amber set-point is set as greater than the red set-point, the display will never turn amber.

Latching: If the IDA is set to *Auto* mode then it is possible to latch the display on red once the value rises above the red set-point. To turn latching on, a link must be installed between the +V and the RED input. To reset the latch once the value returns to below the red set-point the link must be broken momentarily. (See wiring diagram over page)

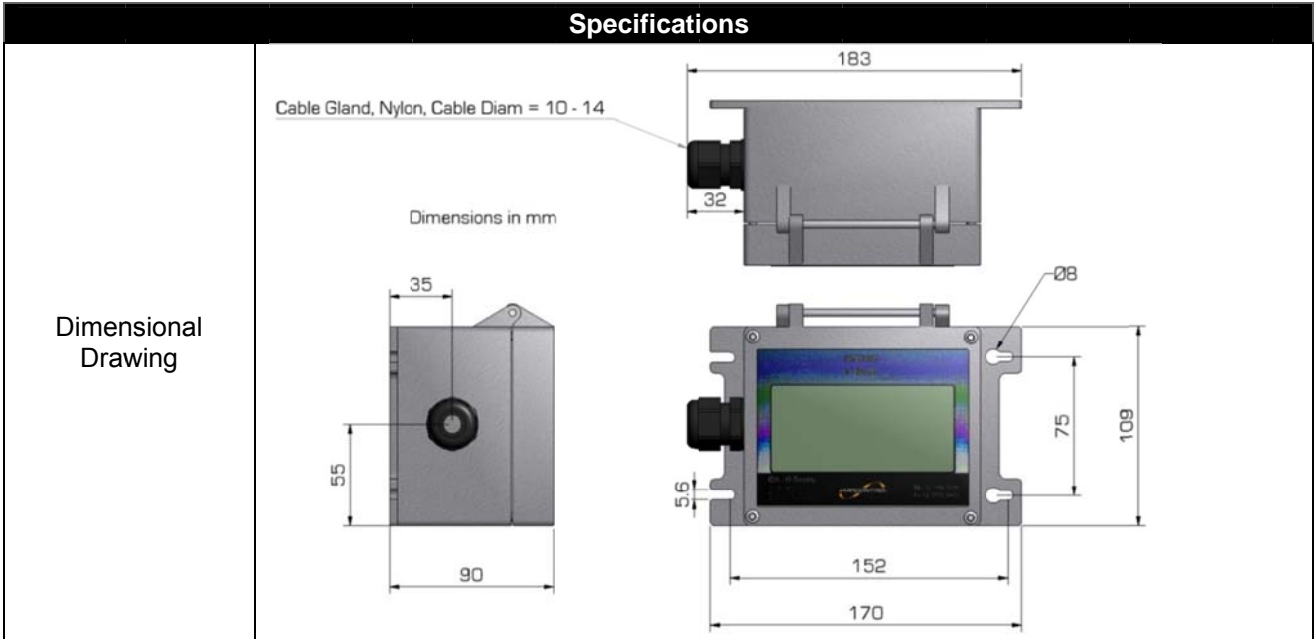
To latch on amber as well, a link must be made between the RED and GREEN inputs, or for amber latching only, between +V and GREEN.

Features

- Large 38mm High LED Display
- IP66 Ingress Protection
- Rugged Cast Stainless Steel Construction
- Reliable
- IECEX Certified Intrinsically Safe – Ex ia I
- Tri-Colour LED Display
- Selectable Current or Voltage Input
- User programmable alarm levels

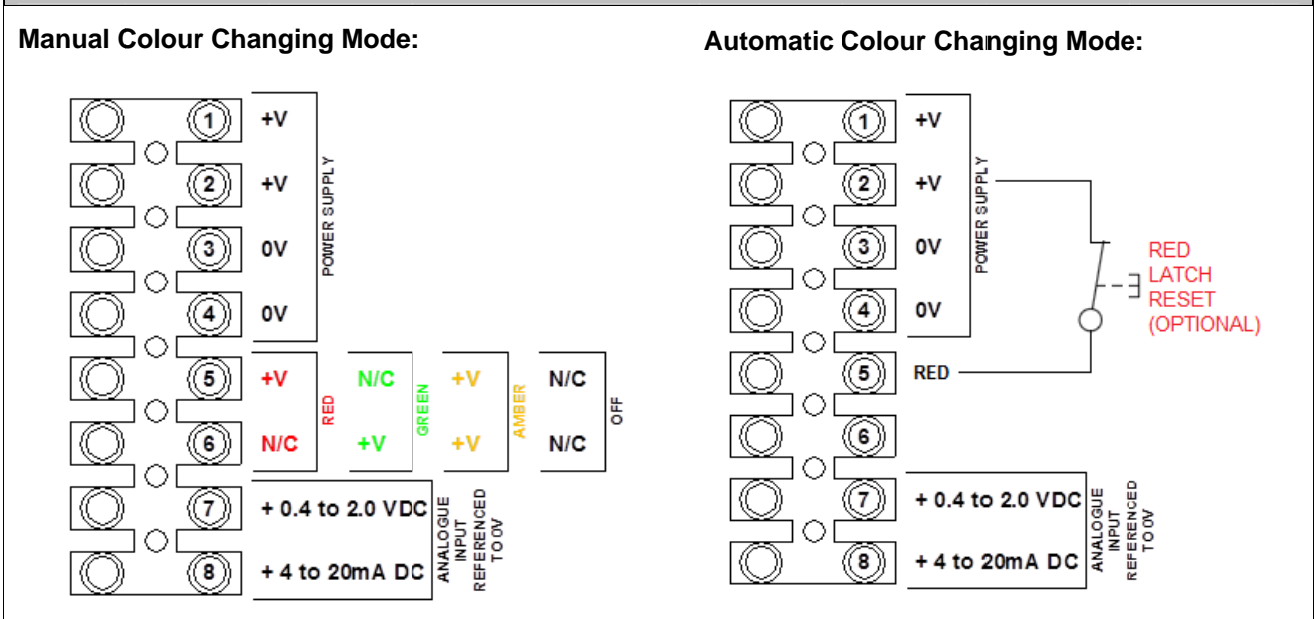


Specifications



Dimensions	170 W x 109 H x 90 D	I.S. Parameters – Ex ia I IP66
Weight	3kg	U _i = 16.5 V
Operating Temp.	-20°C to +70°C	i _i = 3 A
Ingress Protection	IP66	C _i = 0 μF
Humidity Range	0-95% RH, non-condensing	L _i = 0 mH
		Certificate: IECEx TSA 07.0026X
Electrical Specifications		Ordering Information
Supply Voltage	9 – 16.5VDC (Nom. 12VDC)	177521 IDA Methane (CH ₄) 0–5% (Replaces 139995)
Current (max)	110mA	177522 IDA Carbon Dioxide (CO ₂) 0–5%
Analogue Input	4 – 20mA or 0.4 – 2V	177523 IDA Carbon Dioxide (CO ₂) 0–2%
Digital Inputs	9 – 16.5VDC @ <1mA	177524 IDA Carbon Monoxide (CO) 0–50ppm
Accuracy	<±1% FSD	177525 IDA Carbon Monoxide (CO) 0–100ppm
Resolution	0.01% or 0.1ppm	

Electrical Connection



DISCLAIMER
While every effort has been made to ensure the accuracy of this document at the date of issue, Ampcontrol assumes no liability resulting from any omissions or errors in this document, and reserves the right to revise content at any time.

APPROVED FOR EXTERNAL DISTRIBUTION – PROPERTY OF AMPCONTROL PTY LTD – NOT TO BE REPRODUCED IN PART