

INTRINSICALLY SAFE ETHERNET SWITCH

INTEGRATED COMMUNICATION SYSTEMS

Applications

The Ampcontrol Intrinsicly Safe Ethernet Switch is a reliable means for data communications in hazardous environments. Available in three configurations, Multi-Mode for applications up to 4,500 metres transmission distance, Single Mode for applications of more than 14,000 metres transmission distance and combinations of Single and Multi-Mode.

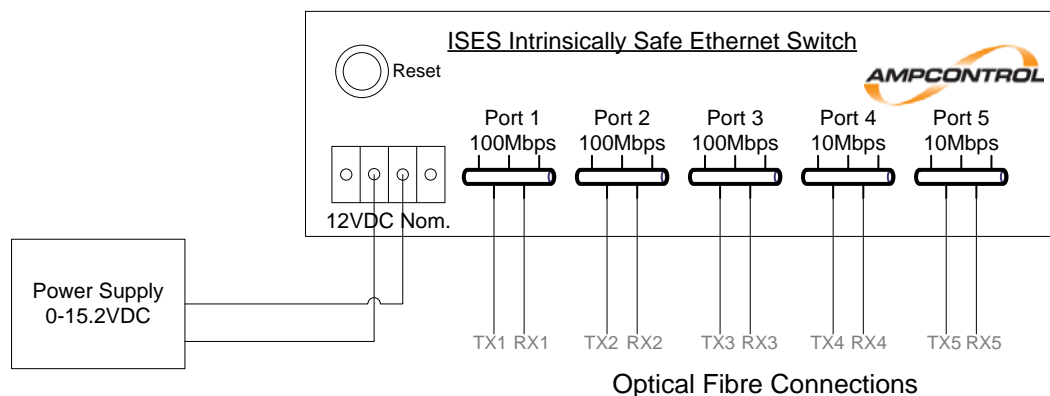
Certified intrinsically safe to IEC Ex ia standards for use in Group I Zone 0 Hazardous Areas.

Features

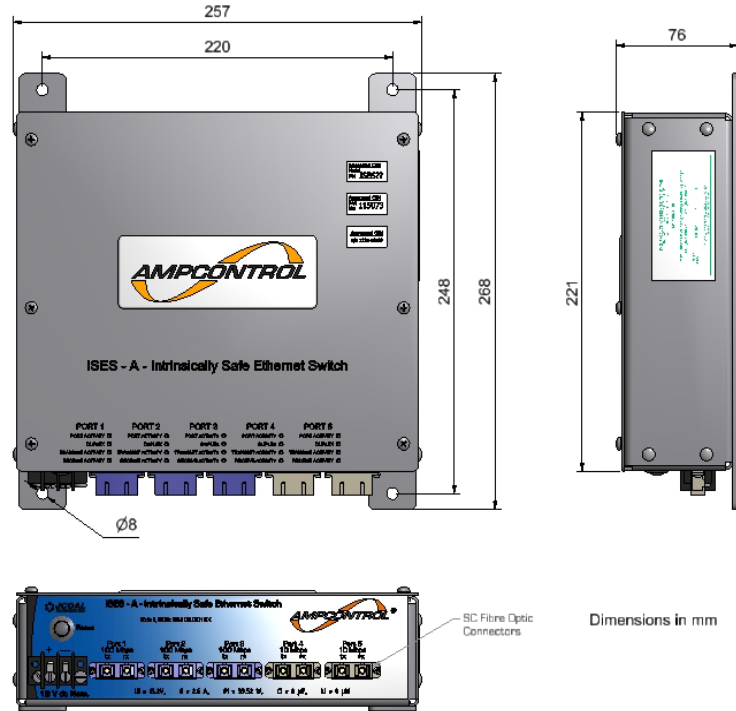
- Certified Intrinsically Safe – IEC Ex ia
- Plug & Play Multi-Mode & Single Mode Fibre Options
- LED Status Indicators
- Robust Stainless Steel Construction



Connection Diagram



Dimensions



Specifications

Electrical	
Supply Voltage	10-15.2VDC
Maximum Current	670
Optical Wavelength	Multi-Mode 820nm Single Mode 1310nm
Approval	IECEX SIM 08.0016X
LED Indication	Port Activity Duplex Transmit Activity Receive Activity

Ethernet Communications	
Compatibility	IEEE 802.3
Speed	2 x 10Mbps ports 3 x 100Mbps ports
Media	Fibre
Connectors	SC (Subscriber Connector)

Ordering Information

Part Number	Description
115073	100 Mbps 3 x Single Mode Optical Fibre 10 Mbps 2 x Single Mode Optical Fibre
142262	100 Mbps 3 x Multi Mode Optical Fibre 10 Mbps 2 x Multi Mode Optical Fibre
142263	100 Mbps 3 x Single Mode Optical Fibre 10 Mbps 2 x Multi Mode Optical Fibre